

# Residential Stair Requirements

## Winder, Circular and Spiral Stair Systems

Kandiyohi County Building Department (2006 IRC)

### 2006 International Residential Code

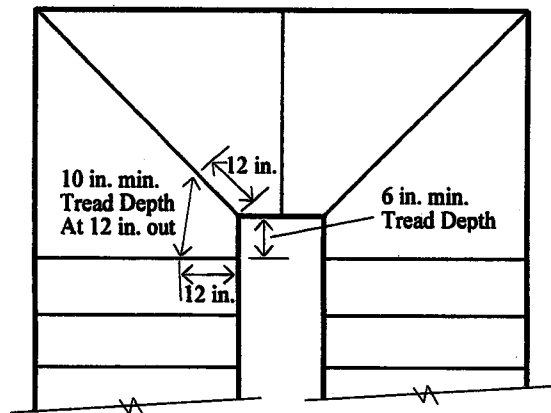
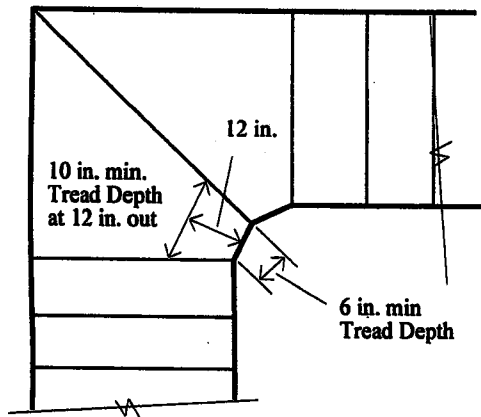
**R311.5.2 Tread Depth.** The minimum tread depth shall be 10 inches (254 mm). The tread depth shall be measured horizontally between the vertical planes of the foremost projection of adjacent treads and at a right angle to the treads leading edge. The greatest tread depth within any flight of stairs shall not exceed the smallest by more than 3/8 inch (9.5 mm). **Winder treads shall have a minimum tread depth of 10 inches (254 mm) measured as above at a point 12 inches from the side where the treads are narrower. Winder treads shall have a minimum tread depth of 6 inches (152 mm) at any point. Within any flight of stairs, the largest winder tread depth at the 12 inch (305mm) walk line shall not exceed the smallest by more than 3/8 inch (9.5 mm).**

**R311.5.6 Handrails.** Handrails shall be provided on at least one side of each continuous run of treads of flight with four or more risers.

**R311.5.6.1 Height.** Handrail height, measured vertically from the sloped plane adjoining the tread nosing, or finish surface of a ramp slope, shall not be less than 34 inches (864 mm) or more than 38 inches (965 mm).

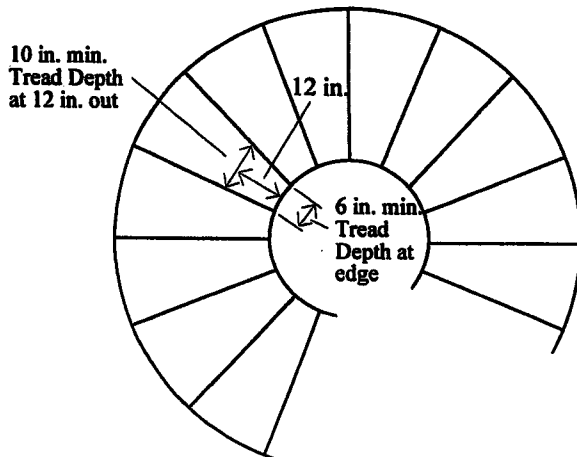
### Winder Stairs

(Stair treads with a turn or change in direction)



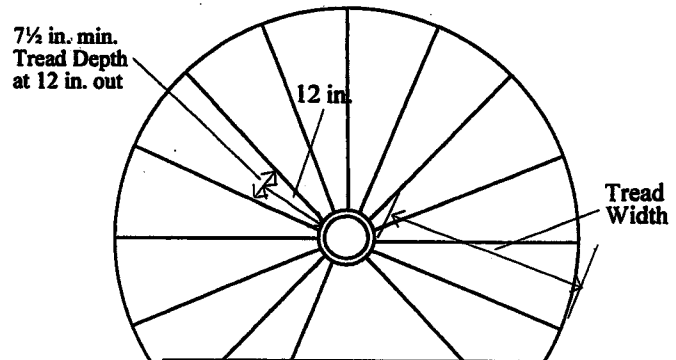
### Circular Stairs

(Treads do not extend to Center)



### Spiral Stairs

(Treads extend to Central Pole or Axis)



#### Special Rules for Spiral Stairs

1. 26 in. min. tread width
2. 6'6" min. headroom
3. 9 1/2" max. rise between treads